



Aeration Industries  
International  
a newterra company

# Aire-O<sub>2</sub><sup>™</sup> Universal Mount



*Retrievable. Reliable. Maintainable.*

## WHY CHOOSE THE AIRE-O<sub>2</sub><sup>™</sup> UNIVERSAL MOUNT?

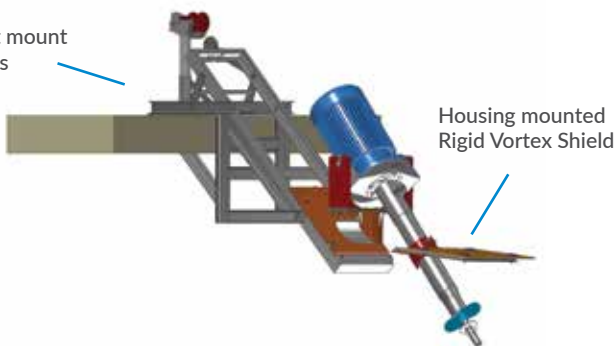
- Integrated, fully retractable retrieval system offers ease of maintenance with the ability to slide the Aire-O<sub>2</sub> Triton<sup>®</sup> up the inclined plane. All routine maintenance can be conducted while safely fixed to the Universal Mount
- Hand winch offers simple equipment removal with easy accessibility
- Adjustable angles with ability to rotate 180 degrees provides flexibility for complete mixing in any basin geometry
- Mount directly to walkway or wall with varying free-board heights
- All stainless steel construction for reliability in industrial and municipal applications



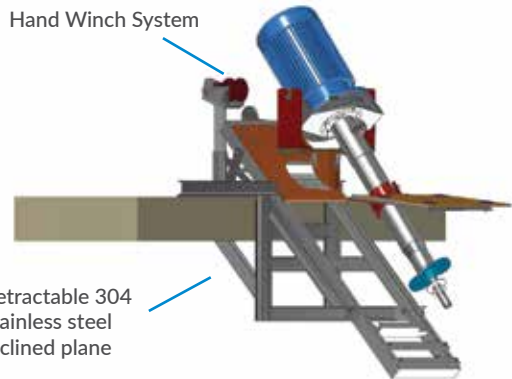
# Aire-O<sub>2</sub><sup>™</sup> Universal Mount



Stainless steel direct mount  
for walkways or walls



Hand Winch System



Retractable 304  
stainless steel  
inclined plane

180 degree flexible mount

